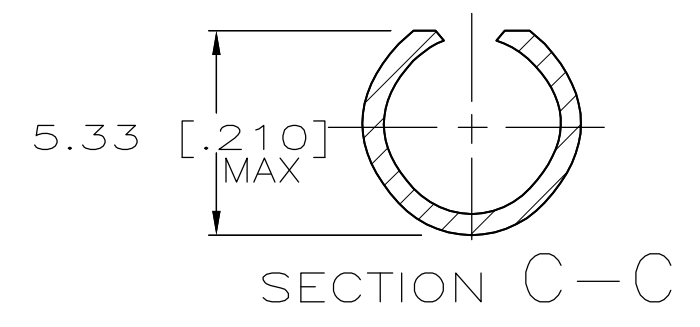
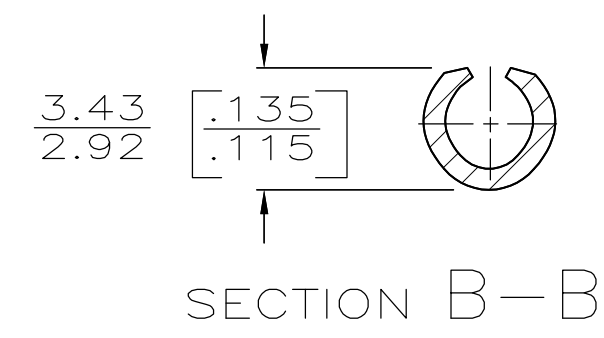
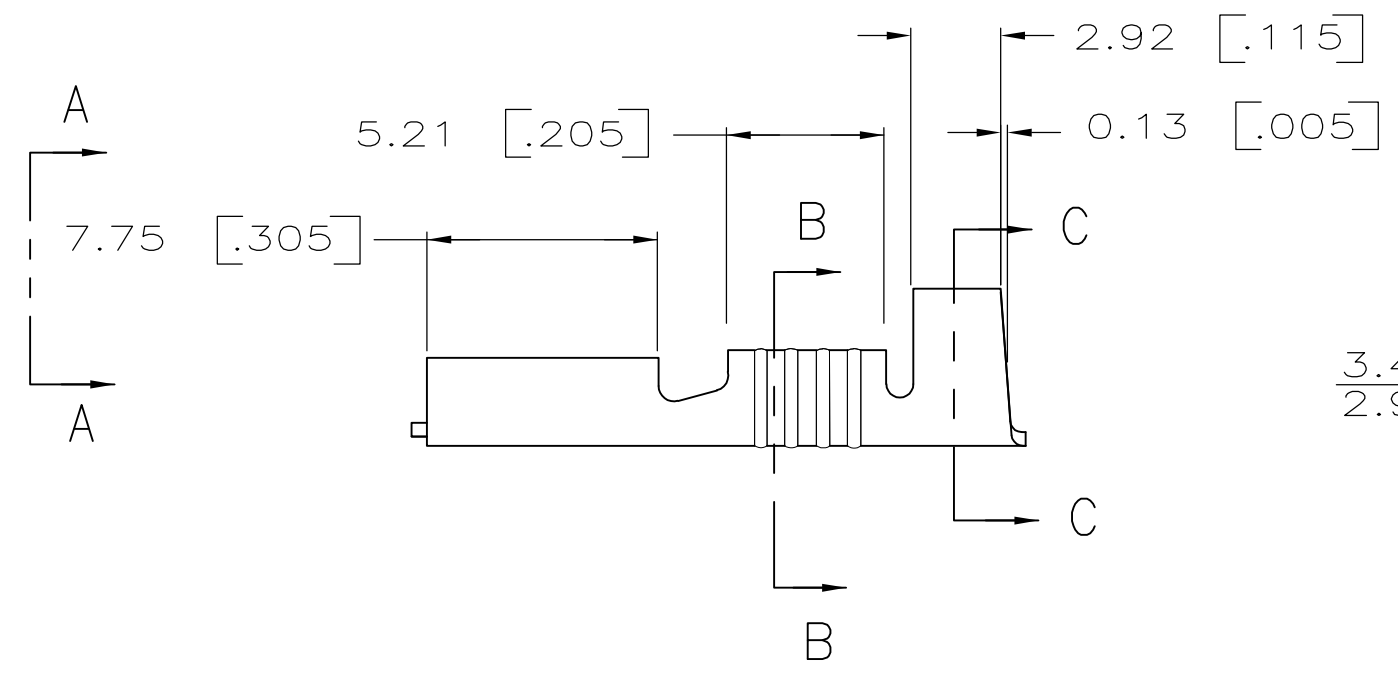
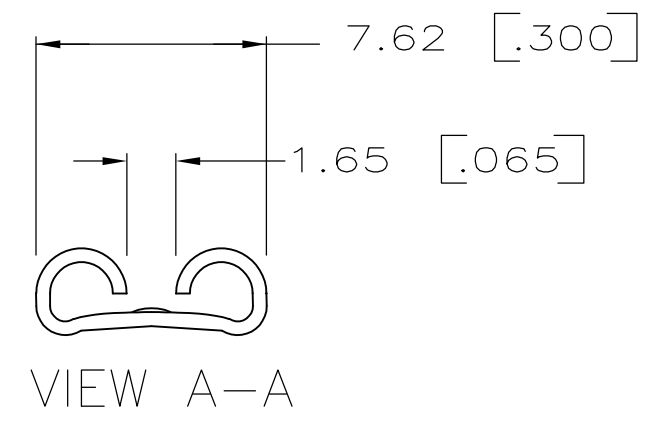
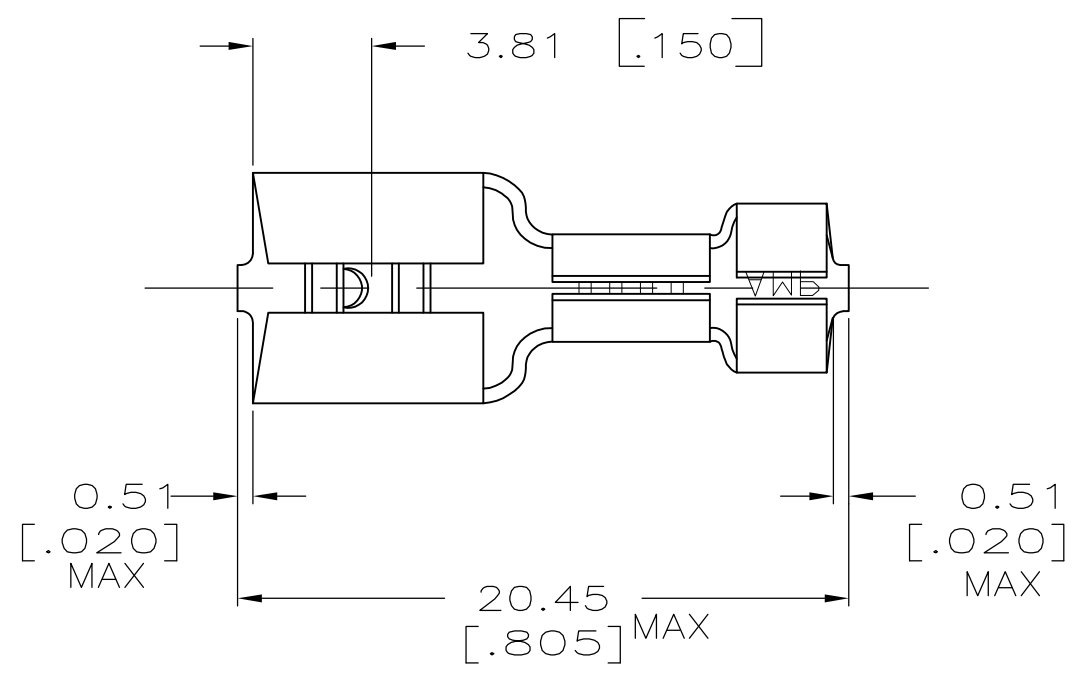


THIS DRAWING IS UNPUBLISHED. RELEASED FOR PUBLICATION
 © COPYRIGHT - By - ALL RIGHTS RESERVED.

LOC	DIST	REVISIONS			
P	LTR	DESCRIPTION	DATE	DWN	APVD
AF	50	L	REVISED PER ECR-12-013445	18OCT12	KH PD

- 1 SUPPLIED IN LOOSE PIECE
- 2 FOREIGN PRODUCTION ONLY.
- 3 MATING TAB THK IS 0.81 ± 0.025 [.032±.001].
- 4 WIRE SIZE 0.8-1.3mm² [18-16] AWG.
- 5 INSULATION RANGE IS 3.05-3.68 [.120-.145] DIA.
- △6 SPECIAL PACKAGE QTY
- △7 OBSOLETE PARTS: OBSOLETE CIS STREAMLINING PER D.RENAUD/D.SINISI



△7 OBSOLETE	-	△6 8-41729-1
	41274-1	△2 41729-2
	41274	41729
	STRIP	PART NO

THIS DRAWING IS A CONTROLLED DOCUMENT.		DWN JR RUTH 2/11/91	TE Connectivity			
DIMENSIONS: mm [INCHES]		CHK MS FEHER 2/11/91				
TOLERANCES UNLESS OTHERWISE SPECIFIED:		APVD C MEYERS 2/11/91	NAME			
0 PLC ± - 1 PLC ± - 2 PLC ± 0.25 [.010] 3 PLC ± - 4 PLC ± - ANGLES ± -		PRODUCT SPEC -	RECEPTACLE, FASTON, 6.35 [.250] SERIES			
MATERIAL BRASS	FINISH TIN	APPLICATION SPEC -	SIZE A3	CAGE CODE 00779	DRAWING NO C-41729	RESTRICTED TO -
CUSTOMER DRAWING			WEIGHT -	SCALE 4:1	SHEET 1 OF 1	REV L